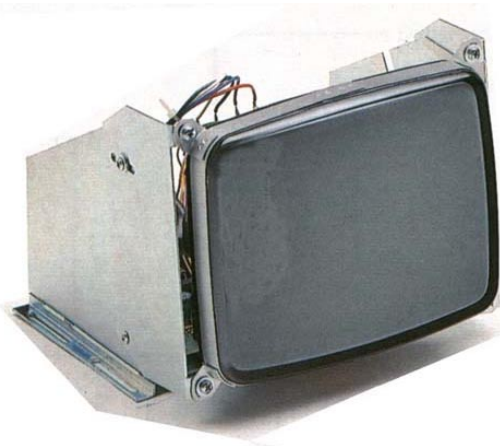


This extremely flexible range of monochrome monitors can be either used as a low cost part of a new design or to replace existing monitors in a variety of control equipment.

The range is based on a common set of boards (EGA, VGA, TTL or Comp) that can be fitted into either white or green CRT monitors in 7", 8", 9", 10", 12", 14", or 15" open frame chassis to provide maximum compatibility. The 9" and 12" green CRT models are the most popular and therefore the most readily available.

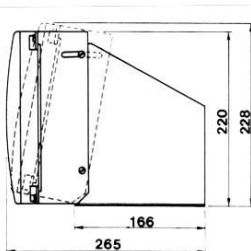


The metal frame has multiple mounting points and an adjustable screen angle to make integration easy. The monitors are supplied with standard video timings but can be simply adjusted, using on board trimmers, to work with particular input signals. A standard 10-way edge connector is supplied to connect input signals. Each monitor is provided with a full technical manual to aid integration.

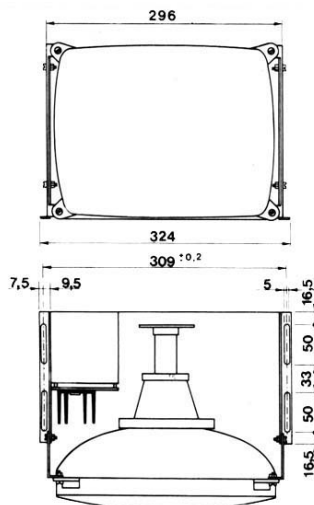
- ✓ Outstanding reliability
- ✓ Compatible with many CNC and control System monitors
- ✓ Supplied with power & Signal Connectors
- ✓ Supplied with comprehensive user/service manual
- ✓ 240 and 115 VAC mains power supply available
- ✓ CGA/ VGA /TTL+I / EGA composite Video inputs
- ✓ +/- H and V sync
- ✓ Easy access to all control settings
- ✓ 7"-15" CRTs and other phosphors on request
- ✓ 12V DC Power Standard

Part Number	Description
SL/09720*WM	9" White CRT Open frame
SL/09720*GM	9" Green CRT Open Frame
SL/12702*WM	12" White CRT Open frame
SL/12702*GM	12" Green CRT Open Frame
* = Please see following board selection table for I,B,C or F type boards according to signal type	
SL/5110-2	240 VAC mains PSU
SL/5110-1	115 VAC Mains PSU

Board type	702I	702B	702C	702F
Signal Standards	CGA/TTL+I	CGA/Pal	EGA/VGA	VGA
Input Power Voltage	12Vdc	12Vdc	12Vdc	12Vdc
Normal Current	1.20 A	1.20 A	1.20 A	1.40 A
Video signal	TTL	Composite (2)	TTL	Analog
Video Intensifier	TTL	N.A	TTL	N.A
Sync. Signals				
Horizontal	TTL+/-	N.A	TTL+/-	TTL+/-
Vertical	TTL+/-	N.A	TTL+/-	TTL+/-
H/V Composite	TTL+/-	N.A	TTL+/-	TTL+/-
Input Impedance				
Video	1 KOhm	75 Ohm	1 KOhm	75 Ohm
H sync.	1 KOhm	N.A	1 KOhm	1 KOhm
V sync	1 KOhm	N.A	1 KOhm	1 KOhm
Intensifier	1 KOhm	N.A	1 KOhm	N.A
Horizontal Scanning				
Frequency	15.7/18.4 (1)	15.7/18.4 (1)	21.7/31.5	31.5
Retrace time (us)	<=7.9	<=7.9	<=4.7	<=4.7
Vertical Scanning				
Frequency (Hz)	50	50	60	60/70
Retrace time (ms)	<=0.4	<=0.4	<=0.4	<=0.4
Video Bandwidth	<=25	<=15	<=25	<=25
Visual Performance				
Deflection	90°C	90°C	90°C	90°C
Resolution (TV lines)	1100	1100	1100	1100
Linearity (%)	<10	<10	<10	<10
Blooming (%)	<3	<3	<3	<3
Raster Distortion (%)	<1	<1	<1	<1
Conditions Operating				
Temperature (C°)	0...=50	0...=50	0...=50	0...=50
Humidity(%)	10...90	10...90	10...90	10...90
Non operating conditions				
Temperature (C°)	-35...+60	-35...+60	-35...+60	-35...+60
Humidity(%)	5...95	5...95	5...95	5...95
Safety STD Conformity	IE950/UL478	IE950/UL478	IE950/UL478	IE950/UL478
Input Connectors				
Supply + Signals	CARD EDGE	CARD EDGE	CARD EDGE	CARD EDGE
Supply	AMP MODU1	AMP MODU1	AMP MODU1	AMP MODU1
MTBF (hours) only board	>=100.000	>=100.000	>=100.000	>=100.000
Dimensions (W×H×L)				
Drive Board Size	181.5×55× 141	181.5×55× 141	181.5×55× 141	181.5×55× 141



SL/12702***



SL/09702***

